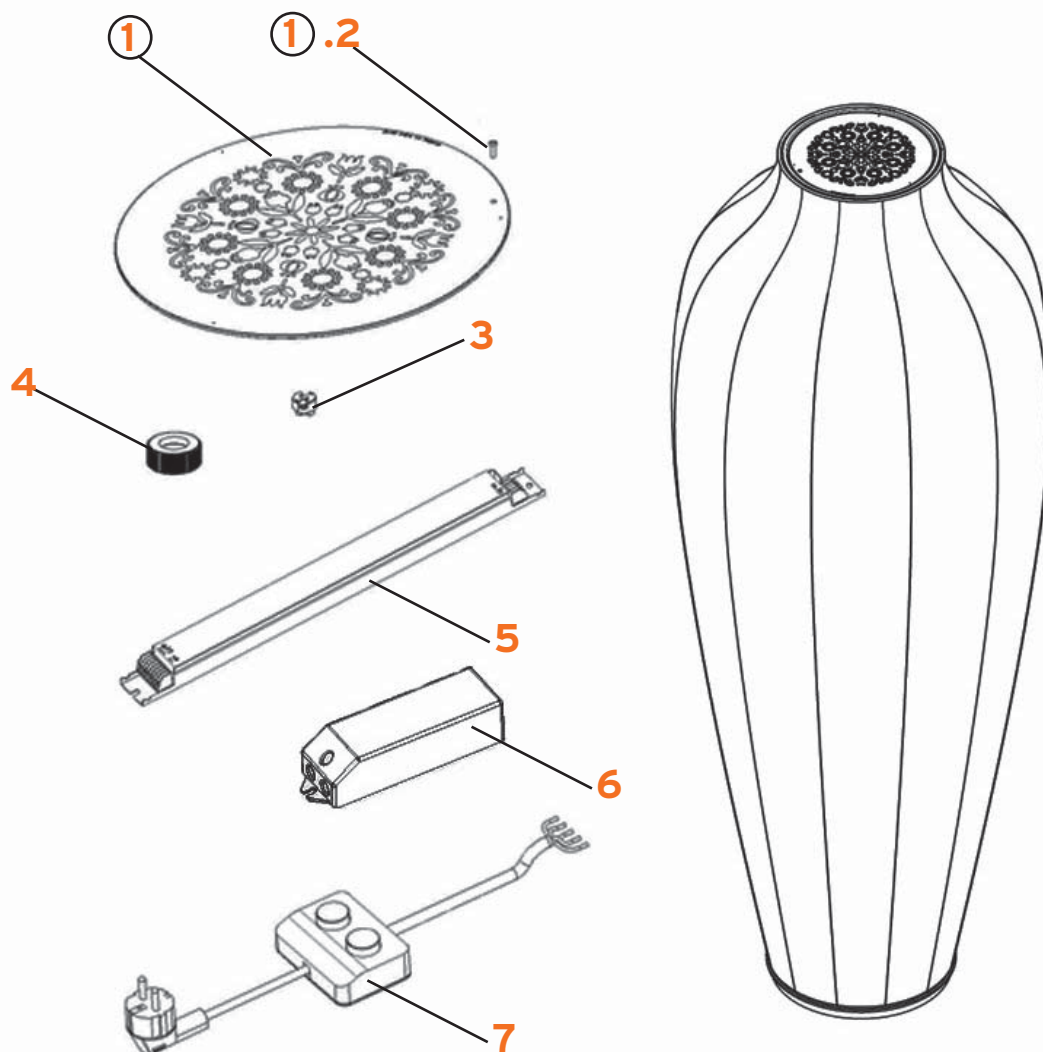


CHRYSALIS

Marcel Wanders

FLOS

www.flos.com



1. Assieme vetro diffusore :: Glass diffuser assembly
2. Vite TC- M3x10 :: TC type screw M3x10
3. P. lamp GY6,35/GX5,3 mt2 0,75MMQ :: GY 6,35/GX5,3 lamp fitting with 2mt wire 0,75 MMQ
4. Rondella zigrinata fissaggio riflettore Chrysalis :: Nut for locking the Chrysalis reflector
5. Ballast elettronico PCA 1/35/49/80 T5 ECO :: Electronic ballast PCA 1/35/49/80 T5 ECO
6. Alimentatore elettronico 230V/240V 105W :: Electronic transformer 230V/240V 105W
7. Assieme montatura elettrica Chrysalis :: Electrical cable Chrysalis assembly

RF1670100

20775

20752

20754

RF20763

26604

RF20777